

Conventional Flameproof (Exd) IR³ Flame Detector



Technical Data

All data is supplied subject to change without notice. Specifications are typical at 24V, 25°C and 50% RH unless otherwise stated.

Supply voltage	14 - 28 V dc
Quiescent current	2.2 mA
Maximum power-up time	2 seconds
Remote LED current	Limited to 2 mA
Range of view	0.1 m ² n-heptane at 25 m 0.2 m ² n-heptane at 35 m 0.4 m ² n-heptane at 45 m
Field of view	90° cone
Spectral response	IR 0.9 to 1.7 µm UV 185 to 260 nm
Sensitivity (EN 54-10)	High - Class 1 Low - Class 3
Operating temperature	-10°C to +55°C
Storage temperature	-20°C to +65°C
Humidity (no condensing or icing)	0% to 95% RH
IP rating	IP66
Standards and approvals	EN 54-10, LPCB, ATEX and IECEx
Dimensions	150 mm diameter. x 137 mm deep
Weight	2.5 kg
Materials	Copper-free aluminium alloy LM25
Housing colour	Red
Cable gland entries	3 x 20 mm

Product overview

Product	Flameproof (Exd) IR ³ Flame Detector
Part No.	55000-062

Approvals



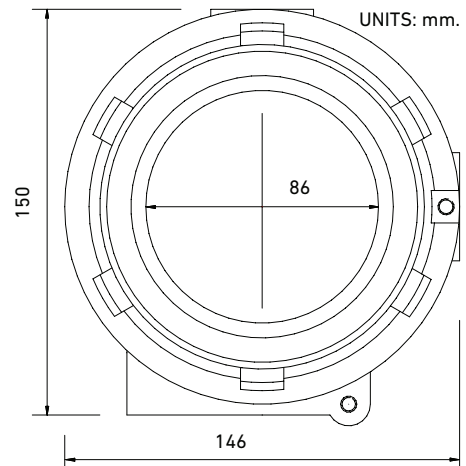
Product information

The Flameproof (Exd) IR³ Flame Detector is designed for indoor and outdoor hazardous environment applications. It is sensitive to low-frequency flickering infra-red radiation emitted by flames during combustion. The sensor operates even through a layer of oil, dust, water vapour or ice. Certified by BASEEFA for compliance with standards EN60079-0, EN60079-1 and EN61241-1.

- ATEX and IECEx certified: II 2GD Ex d IIC T4 Gb, Ex tb IIIC T1350C Db IP66 A21 (Zones 1, 21, 2 and 22)
- Class 1 sensitivity to EN54-10 detects 0.1m² fire at 25 m
- Highest optical interference immunity
- Selectable output options: Conventional two-wire, 4 - 20 mA, Relay Contacts - Fire/fault, pre-alarm, latching or non-latching
- Selectable response speed
- Optical self-test function
- Low power consumption

*Note: For outdoor use it is recommended to use the **Apollo Flame Detector Weather Shield for Flameproof Version**. Please visit our website for more information.*

Dimensional drawing



36 Brookside Road, Havant | Tel: +44 (0)23 9249 2412 | Email: sales@apollo-fire.com
Hampshire, PO9 1JR, UK. | Fax: +44 (0)23 9249 2754 | Web: www.apollo-fire.co.uk



A HALMA COMPANY
© Apollo Fire Detectors Limited 2017



This page has intentionally been left blank